



GASPARDO

Growing Together

Haymaking

Cutting, windrowing and spreading







CUTTING AND MANAGEMENT

SIMPLICITY AND RELIABILITY: MASCHIO GASPARDO'S RESPONSE TO MODERN FARMING CHALLENGES

The life of a farmer has always been challenging, further complicated by climate uncertainty and increasing market demands, which require impeccable quality and traceability throughout the supply chain.

In response to these challenges, MASCHIO GASPARDO offers a complete range of equipment that is both simple and highly professional, optimized for every phase, from cutting to windrowing and spreading. These tools combine reliability with high performance, ensuring that the nutritional quality of the forage meets expectations without unnecessary complications.

HAYMAKING



Contents

Disc Mowers	04
BORA LT - BORA	06
BORA T	08
BORA F - BORA TWIN	10
Tedders	12
LEVANTE LT - LEVANTE	14
LEVANTE T	16
Rakes	18
PONENTE - PONENTE CS	20
PONENTE T CS - PONENTE T VS	22

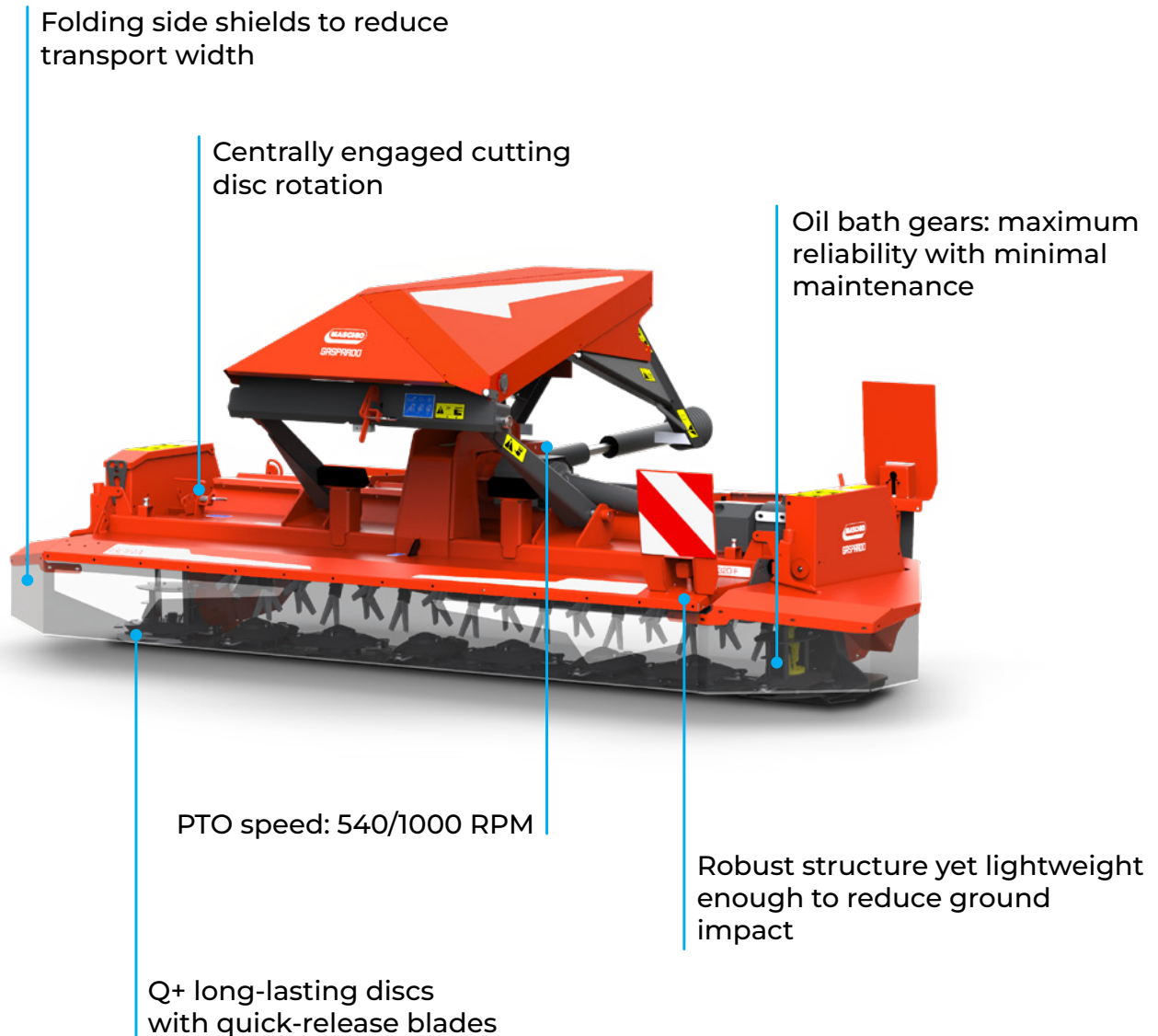
Disc mowers

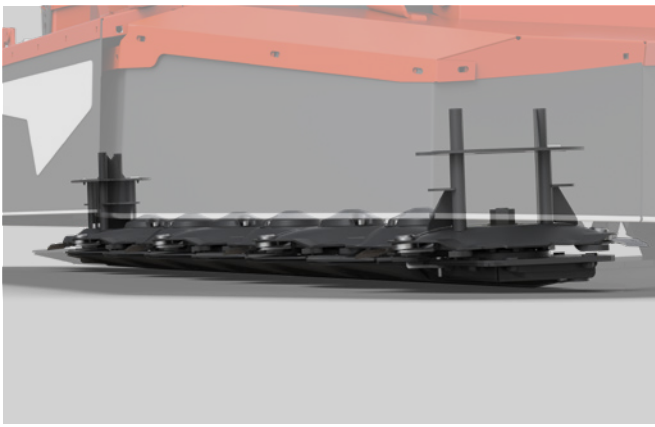
Complete in every way

The new series of mowers and mower conditioners by MASCHIO GASPARDO guarantee excellent ground adaptation and high-quality cutting for clean forage. Available in various models and versions, the BORA range includes:

- **BORA F:** front-mounted mower;
- **BORA:** side-mounted mower;
- **BORA T:** trailed mower;
- **BORA TWIN:** double-mounted mower.

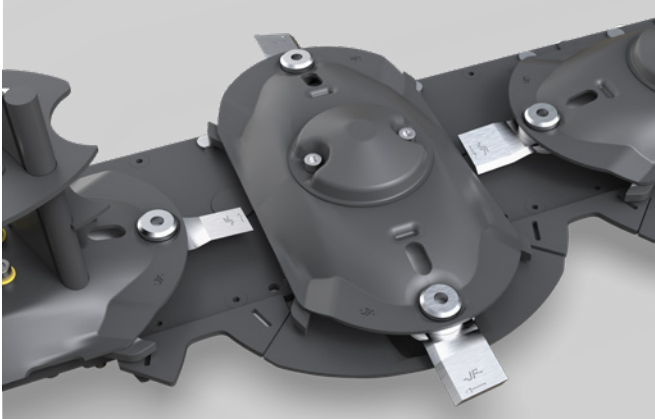
Designed to meet the needs of farms of all sizes, BORA offers the flexibility to combine multiple machines, ensuring consistent performance across various conditions. Quality cutting and low maintenance are the foundations of this model.





Mowing bar with low-profile design

The new bar features a completely flat bottom and a low profile, with an adjustable cutting height up to 10 cm. This helps protect the grass layer by reducing contact pressure during mowing, ensuring faster regrowth for subsequent cuts. The ability to tilt the bar both positively and negatively ensures maximum cutting quality.



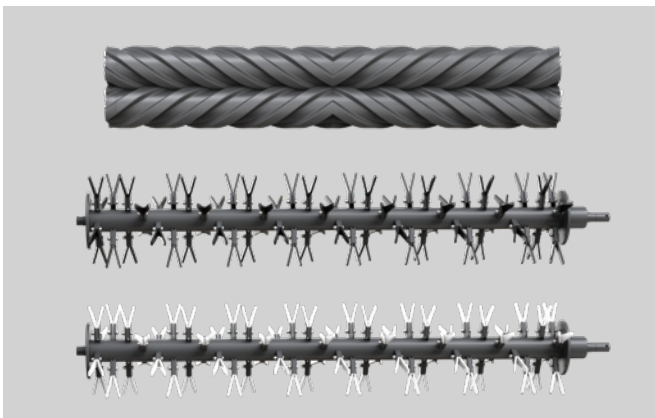
Quick-release disc blades

The BORA range minimizes repair time with a fast and practical blade replacement system, allowing operators to quickly resume mowing. Each blade is designed to deliver clean, sharp cuts that preserve the quality of the product, even when handling lodged crops.



Simple and reduced maintenance

In the event of a disc collision with an obstacle, the ShockPRO™ hubs, equipped with protection, are designed to intentionally break, preserving the cutting bar's transmission. The system keeps the entire mechanism firmly in place, allowing the damaged hub to be quickly replaced, minimizing costs and downtime.



Various conditioning options

Often, the importance of conditioning is underestimated. It's a fundamental process capable of reducing drying time by 50%. This translates into less exposure to potential weather events and, consequently, a higher final quality. The BORA range offers various solutions with rubber rollers, steel tines, or polyethylene tines.



Forage drying with "Easy-Dry"

The function, easily activated via a lever, consists of a deflector that keeps the forage under the tines for a longer period. In this way, the cut product is conditioned for a longer time, spread over the full width of the mower, and able to lose moisture more quickly.

BORA LT - BORA

Side-mounted disc mower (from 48 and 54 HP)



Suitable for everyone

Versatile and compact, BORA proves to be the ideal companion for those seeking a compact and essential machine. With working widths ranging from 2,37 to 3,86 meters, it's ideal for both open fields and tighter spaces, always safe thanks to the optional hydraulic obstacle protection system that can be adjusted during work. It can also be equipped with a conditioner with polyethylene tines, capable of reducing drying time by up to 50%. The BORA LT version, designed to meet the needs of smaller farms, is equally reliable but with a simpler structure.

Hydro Float suspension system

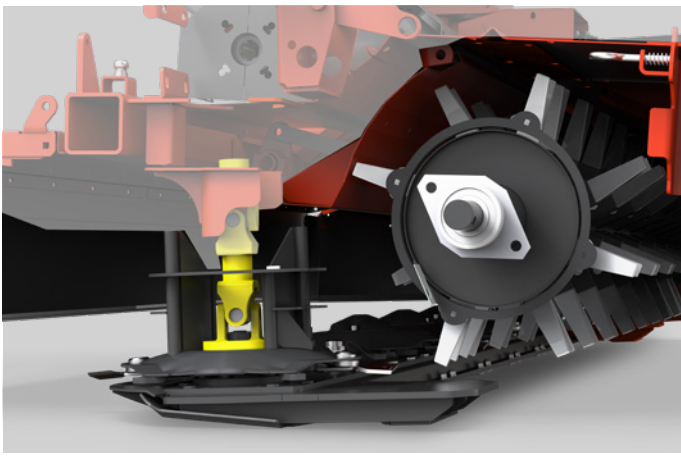
The advanced Hydro Float suspension system uses hydraulic shock-absorbing technology, allowing the mower to perfectly adapt to the terrain's profile. This approach guarantees uniform cutting, promotes optimal regrowth, and preserves the integrity of the residual product, paying close attention to both the environment and productivity.



Quick Lift for headland turns

This feature, thanks to the suspension system, temporarily lifts the machine during headland turns, facilitating and reducing downtime during field operations.





Conditioner

The BORA can be equipped on request with a polyethylene tine conditioner that speeds up drying. Additionally, the Easy-Dry system ensures further conditioning thanks to a rear deflector that keeps the product under the tines for longer.



Safe transport position

The mower offers various transport modes: it can be transported in a vertical position at a 90° angle to the ground or folded horizontally behind the tractor. The latter solution is particularly useful for navigating roads with obstacles.

MODEL	BORA LT	BORA
Working width (m)	2,4 - 2,8	2,77 - 3,11 - 3,52 - 3,86
Windrow width (m)	1,8 - 2,2	2,2 - (1,2)*2,5 - 2,6 - (1,2)*2,8 - 2,95 - 3,3
Transport width (m)	1,49	1,49
Number of discs	6 - 7	7 - 8 - 9 - 10
Number of blades	12 - 14	14 - 16 - 18 - 20
Conditioner type	Without conditioner	Without conditioner/Polyethylene tine conditioner
Minimum power (HP)	48/54	54/68/82/95
Hitch category	II [^]	II [^] /III [^]
Weight (kg)	508 - 545	886 - 870 - 1,105 - 930 - 1,214 - 1,032 - 1,172



BORA T

Trailed disc mower (from 95 HP)



Versatility in use

The BORA T is a lightweight trailed mower that can be used even with small machines, benefiting fuel consumption and reducing soil compaction. The centrally pivoted drawbar system, adjustable on both sides, allows the cutting bar to be directed exactly where needed. Thanks to the advanced suspension system, the bar remains light and responsive on the ground, precisely following the soil profile even at high speeds. The working width ranges from 3,11 to 3,52 meters, and you can choose between two types of conditioners. Road transport is easy and safe, as it can be quickly switched from working to transport position.



SAFE⁺ in case of collisions

When working on rocky terrain, the SAFE⁺ safety system ensures excellent performance. In case of contact with stones or protruding obstacles, the cutting bar automatically lifts, avoiding dangerous collisions and reducing the risk of damage, thereby extending the machine's lifespan.

The sensitivity of the system can be easily adjusted using two springs, allowing the mower to adapt to the terrain and maintain a uniform cutting height that promotes regrowth. Moreover, SAFE⁺ operates independently from the pressure on the ground, ensuring maximum efficiency and protection without compromise.



High maneuverability

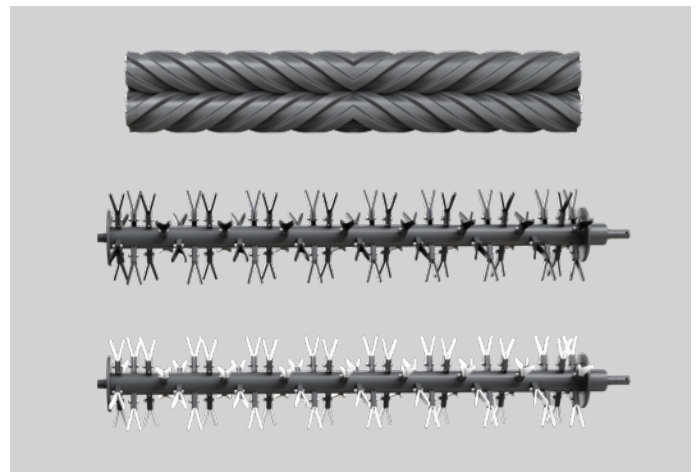
The hydraulic lifting system at the headlands, along with the 360° gearbox, makes headland turns extremely smooth and fast. Designed for tight turns, the gearbox can rotate up to 90° relative to the drawbar, ensuring precision without causing vibrations.

Conditioner selection

In conditioning, it is important to break the wax layer that allows the plant to retain moisture and limit evapotranspiration. This is why it is essential to choose the most suitable solution for each product: rubber rollers are recommended for high-value, bulky crops rich in leaves, as they press the product without breaking it. Otherwise, if the product is rich in stems, a flail conditioner is more suitable for breaking and bending.

Adjustable cutting height

The machine is equipped with a height-adjustable bar. The procedure is simple and quick, thanks to a specific tool. The cutting height ranges from 2,5 to 10 cm, and with the addition of skids, it can be increased by 3 cm.



MODEL	BORA T
Working width (m)	3,11 - 3,52
Windrow width (m)	(1,2)*2,0 - (1,2)*2,2
Transport width (m)	3 - 3,4
Number of discs	8 - 9
Number of blades	16 -18
Conditioner type	Steel tine conditioner/Rubber roller conditioner
Minimum power (HP)	95/102
Hitch category	II^
Weight (kg)	2,730 - 2,780 - 2,890 - 2,940



BORA F - BORA TWIN

Front and rear-mounted double disc mower (from 60 and 140 HP)



Multiple combinations

MASCHIO GASPARDO's haymaking range offers maximum productivity with the BORA TWIN double rear-mounted mower, which has a working width of up to 8,6 meters. Equipped with 16 discs, each with two helical teeth, it ensures a clean and uniform cut. The BORA TWIN can be combined with the front-mounted BORA F. The machine is designed to place the cut product between the tractor wheels, preventing contamination by the tires and ensuring uniform operation. Both models are available with or without a polyethylene tine conditioner, boosting daily productivity, cutting quality, and cost-effectiveness.



Floating suspension system

This technology, standard on the BORA F 320 and 360, allows for compensation of lateral inclinations up to 12° and vertical inclinations of up to 55 cm, ensuring optimal working conditions even in hilly or mountainous environments. The cutting unit can adapt to any terrain, thanks to a trapezoidal system that retracts the bar when pushed backward.



Safety system in case of collision

The mechanically adjustable protection system (available on the BORA F 320 and 360) allows the entire cutting unit to automatically retract in the event of a collision with an obstacle, ensuring greater safety during operation.

Efficiency and quality to face climate challenges

Opting for larger setups offers significant advantages. The main one is the ability to cover a larger area in the same amount of time, reducing fuel consumption and improving operational efficiency. Additionally, by working more quickly, it's possible to operate within shorter time windows, which is crucial in a changing climate context. This approach not only protects the quality of the final product but also reduces the risk of losses due to adverse weather conditions.

Safe transport within road limits (also combined)

Despite their generous dimensions, both machines comply with height and width limits, allowing for safe road transportation.



MODEL	BORA F	BORA TWIN
Working width (m)	2,86 - 3,11 - 3,52	8,4 - 8,6
Windrow width (m)	(1,2)*2,6 - (1,0)*2,8 - (1,2)*3,4	2,6 - (1,2)*2,8
Transport width (m)	2,96 - 3,11 - 3,52	2,99
Number of discs	7 - 8 - 9	16
Number of blades	14 - 16 - 18	32
Conditioner type	Without conditioner/Polyethylene tine conditioner	Without conditioner/Polyethylene tine conditioner
Minimum power (HP)	60/82/95	140/175
Hitch category	-	III [^]
Weight (kg)	795 - 1,235 - 1,422	1,890 - 2,340



Tedders

High spreading quality and performance

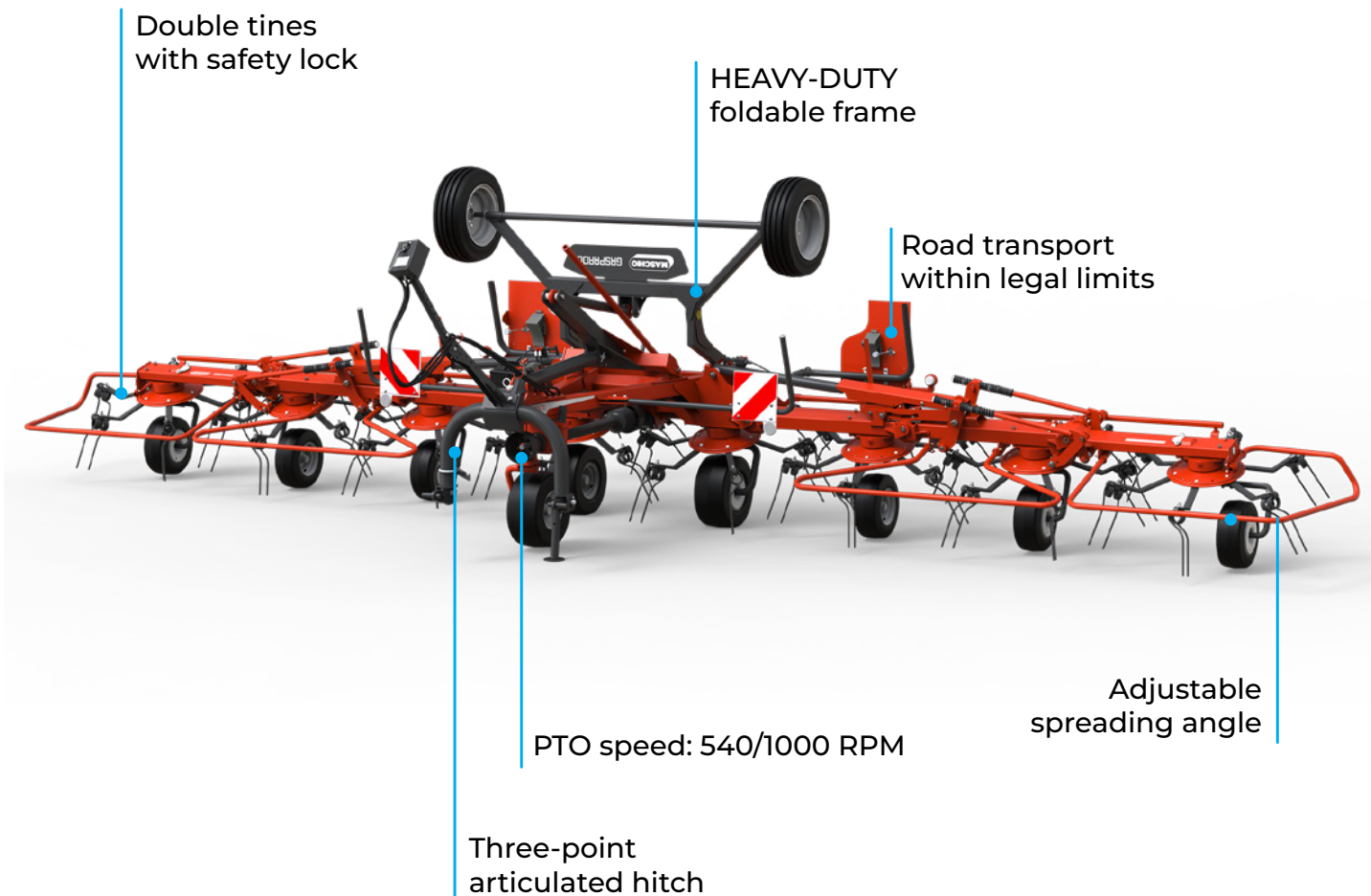
In forage drying, uneven distribution of the hay can cause delays, quality loss, and storage issues. The new range of MASCHIO GASPARDO tedders is the ideal solution to address these challenges.

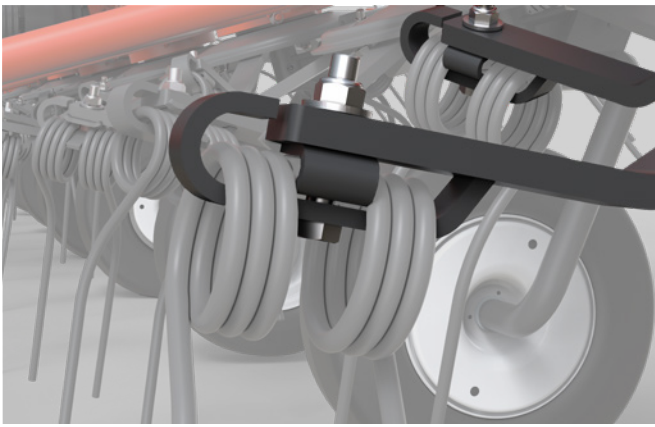
Thanks to an innovative design and highly efficient rotors, our tedders ensure fast and even drying, improving forage quality and minimizing work time.

The range includes:

- **LEVANTE LT:** mounted tedder;
- **LEVANTE:** mounted tedder;
- **LEVANTE T:** trailed tedder.

Whatever your agricultural needs, MASCHIO GASPARDO provides the technology and reliability necessary for achieving high-quality spreading while preserving the leaves, which are the most nutritional and protein-rich part of the forage.





Tine locking system

For models with a working width greater than 6.9 meters, an innovative locking system is included as standard (optional for other models). This system ensures that the tines remain securely in place, preventing losses in the forage and providing essential protection for the harvesters operating afterward. It also prevents metal fragments from contaminating the feed, safeguarding livestock health.



Double tines, double efficiency

All models in the range feature double tines to enhance rotation performance. An important detail is the asymmetric stems: thanks to their difference in length, both tines maintain the same distance from the ground without scraping it.



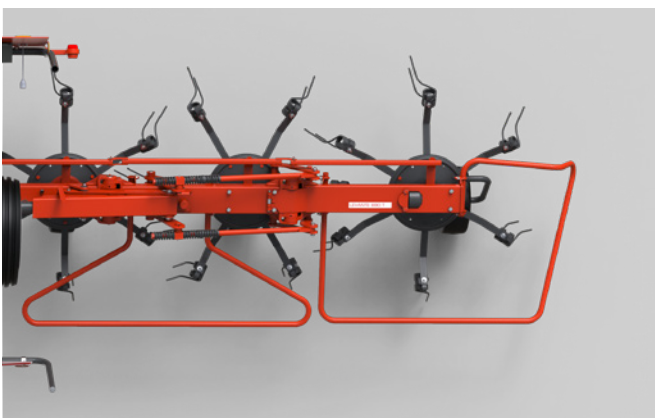
Efficient headland spreading

To ensure clean turning at the field edges, a system that distributes the forage inward can be used, preventing the formation of thick strips. This system can be activated manually via a knob or with a hydraulic valve (standard on models 690/760 and 880/880T). This way, the boundaries are not disturbed, and the forage remains uncontaminated.



Pivoting protected rotor

It is essential to accurately detect every change in terrain to operate as effectively as possible. All rotors are suspended on a pivoting system, allowing them to quickly and efficiently adapt to variations in soil conditions.



Rotor diameter

Small-diameter rotors, starting at 1.48 meters, offer several advantages. Their smaller size allows them to better adapt to the terrain, gathering less product, which remains cleaner and has a lower ash content.

LEVANTE LT - LEVANTE

Mounted tedder (from 23 to 82 HP)



Mounted Tedders

With a working width ranging from 4,5 to 6,6 meters for the LEVANTE LT and 6,9 to 8,8 meters for the LEVANTE, MASCHIO GASPARDO is able to meet the needs of various farms, from smaller ones to more professional setups. All models, except for the 880 version, are equipped with gearboxes with conical gears and cardan joints in an oil bath, as well as a welded frame. These are simple and lightweight solutions that ensure reduced weight and good reliability.

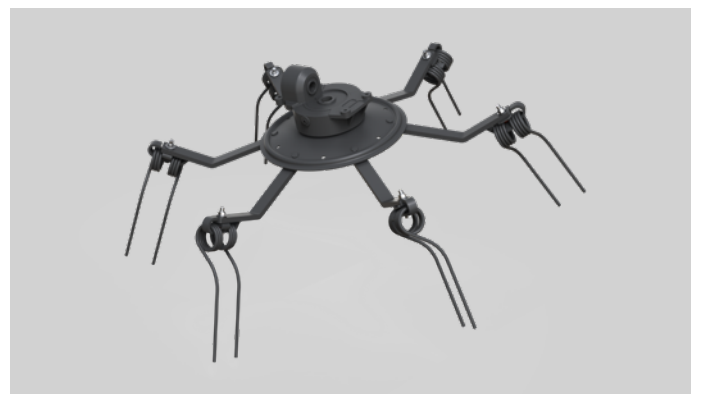
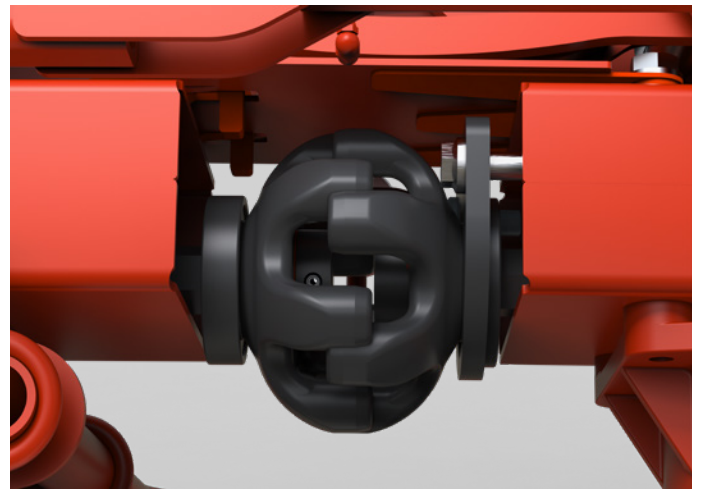
Transmission through tine clutch

Power in the tedders is transmitted via an extremely robust finger coupling system that does not require lubrication. This system allows the spreading arms to rotate 180°, enabling a compact transport position.

This design increases productivity by allowing more time for actual work while minimizing maintenance requirements.

Optimal rotor diameter

The small-sized rotors optimally adapt to terrain irregularities, reducing the percentage of stones or debris in the forage.





Goal: quality

The foundation of success for quality forage lies in a good crop mix that must be maintained throughout the harvesting process. The forage must be spread as evenly as possible: vigorously to leave no trace of wet residue or piles, but gently to avoid breaking the driest parts.



Durability

The sealed and compact design of all rotors requires no maintenance, thanks to the oil bath. The cardan transmission ensures perfect functionality of the individual rotors. Each rotor is supported by an independent wheel to follow the terrain's irregularities.

MODEL	LEVANTE LT	LEVANTE
Working width (m)	4,5 - 5,4 - 6,6	6,9 - 7,6 - 8,8
Windrow width (m)	2,65 - 2,89 - 2,95	2,95
Number of rotors	4 - 6	6 - 8
Number of arms per rotor	6	6 - 7 - 8
Wheels	16 x 6,5 - 6 PR	16 x 6,5 - 6 PR
PTO speed (RPM)	540	540
Minimum power (HP)	23/34	68 - 82
Weight (kg)	462 - 530 - 783	930 - 950 - 1,385



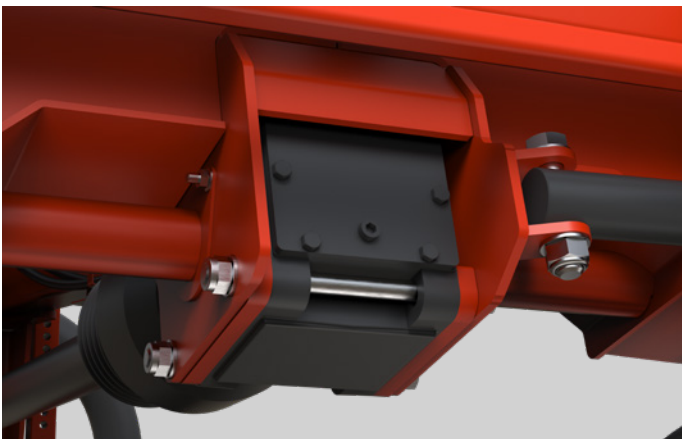
LEVANTE T

Trailed tedder (from 40 HP)



Small tractors, great performance

The only version capable of covering 8,8 meters, designed for low-power tractors: its low weight makes it extremely suitable for work in hilly areas, increasing maneuverability without compromising stability and functionality. Fuel consumption also benefits from this structure. The frame is reinforced with cast and welded components, making it robust and professional. Road transport is possible thanks to a width of less than 3 meters, compliant with the Mother Regulation (European road homologation).



Grease-bath transmission

The main transmission box for the rotors is encased in a sealed capsule. This ensures constant lubrication of the rotors, extending their life while requiring no maintenance.



Road transport carriage

In transport position, the wheels effectively support the weight of the equipment on the ground. The trailer's tyres ensure smooth road travel at sustained speeds without issues. A spare wheel is also available upon request to enhance safety during use.

Ground-tracking wheel

To improve ground adherence and achieve optimal work performance, the equipment can be fitted with a front tracking wheel mounted on the hitch.

This wheel can reduce the risk of soil contamination by responding early to irregularities in the terrain. This feature prolongs the life of the tines and allows faster operation.



Mother Regulation

LEVANTE T complies with the Mother Regulation, ensuring correct and safe road transport of the machine within the European Union.

**M O T H E R
R E G U L A T I O N
A P P R O V E D**



MODEL	LEVANTE T
Working width (m)	8,8
Windrow width (m)	2,95
Number of rotors	8
Number of arms per rotor	6
Wheel type	16 x 6,5 - 6 PR 540
PTO speed (RPM)	540
Minimum power (HP)	40
Weight (kg)	1,613



Rakes

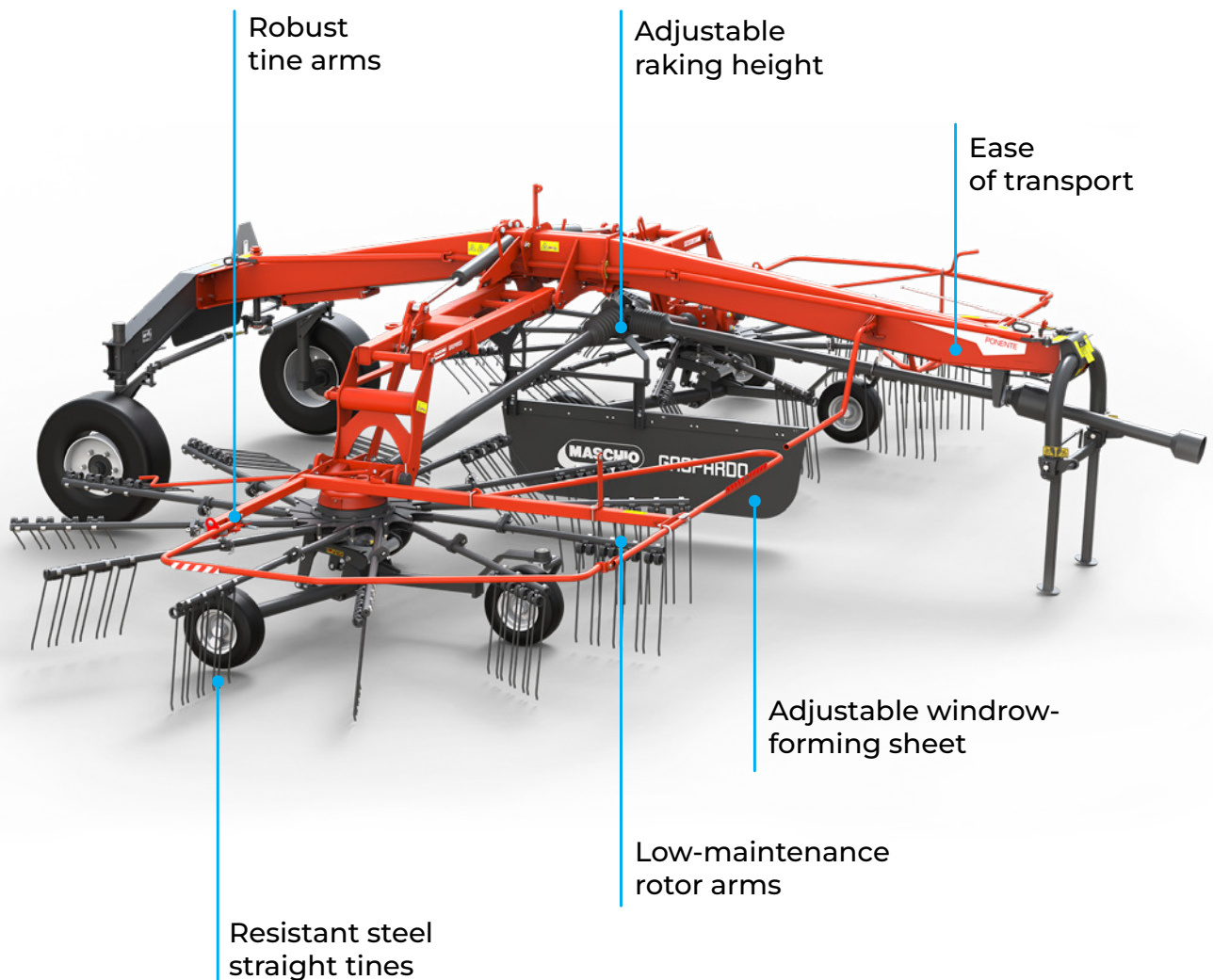
Clean harvesting

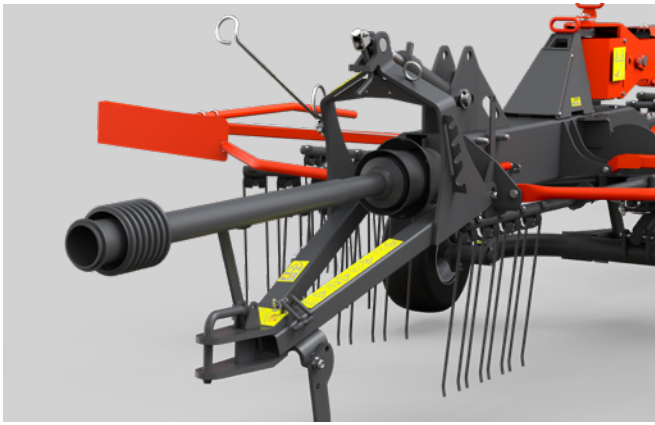
Raking is the final process before harvesting the crop. In this phase, cleanliness is crucial to maintaining the quality standard established from planting through cutting.

For this reason, MASCHIO GASPARDO, with its new PONENTE series rakes, ensures not only efficiency and precision in raking but also maximum care for the forage and soil, guaranteeing impeccable quality from the first cut to the final harvest.

The PONENTE range includes:

- **PONENTE:** single rotor mounted rake;
- **PONENTE CS:** double rotor mounted rake;
- **PONENTE T CS:** double rotor trailed rake - central windrow;
- **PONENTE T VS:** double rotor trailed rake - side windrow.





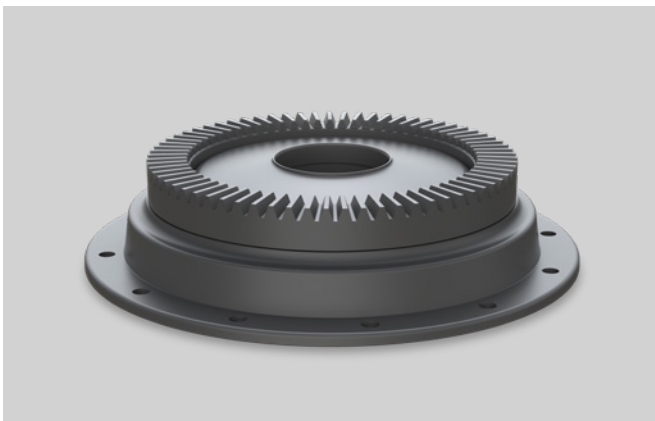
Three-point hitch

The PONENTE mounted versions feature a fully adjustable articulated three-point hitch that can be controlled from the cab. This ensures excellent ground contour following and good maneuverability.



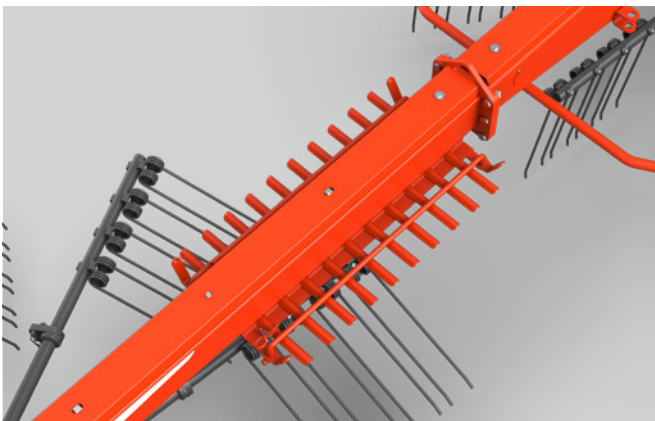
Tangential tine arms

The high angle of the tine arms relative to the rotor ensures optimal windrow formation in all conditions. The tines are able to gently lift and move the product without damaging it.



Maintenance-free bearings

Farmers' work is heavily affected by the weather. With the transmission using gears and grease lubrication, time lost for maintenance is minimized, allowing more focus on the work itself. Timely intervention is guaranteed.



Storage of tine arms

The tine arms can be quickly disassembled without tools and stored in a designated area. This improves visibility and safety during transport, and also increases convenience for storage, such as during winter.



Working height adjustment

For proper and clean harvesting, the working height can be manually adjusted using a crank.

PONENTE - PONENTE CS

Single and double rotor mounted rake (from 20 and 60 HP)



Great versatility on small equipment

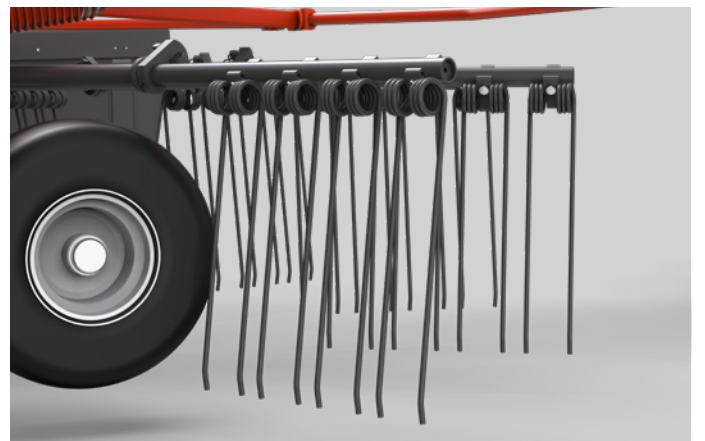
The PONENTE single rotor mounted rakes create a side windrow and feature an adjustable windrow-forming sheet to accommodate working widths ranging from 2,9 to 4,5 meters. The tandem axle with four wheels allows smooth operation on uneven ground, while the 3D wheel system enables the front wheel to follow the rake along curves, better navigating the curve arc. The CS version relies on two rotors, forming a central windrow, with a working width adjustable from 6,15 to 6,6 meters.

Reinforced tines

The extra-strong tines, with a thickness of 9 mm (10 mm for models 420 and 450), provide maximum reliability and ensure excellent performance with any quantity of product.

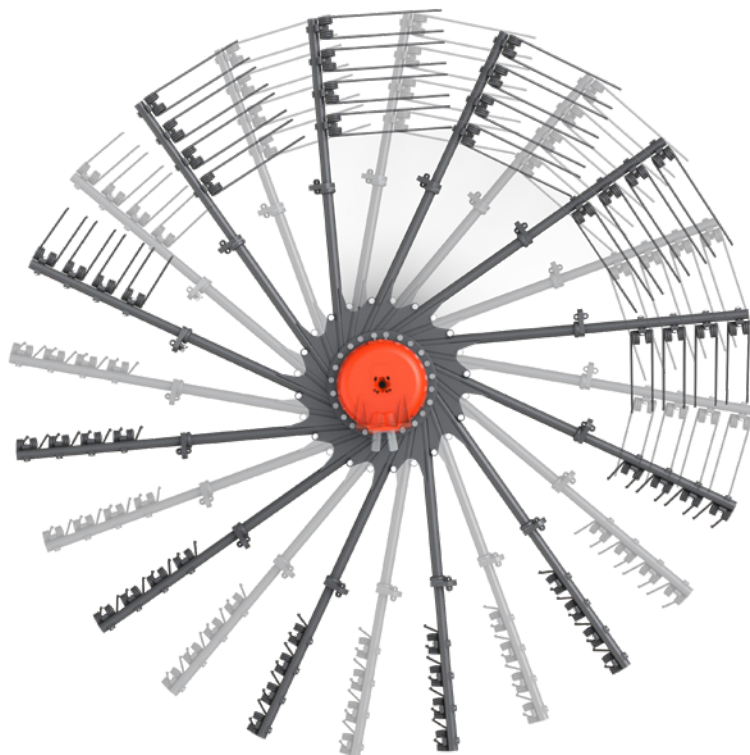
Wheels and carriages

The wheels, positioned ahead of the rotor near the tines, guide the rotor with great precision. The 450 version is equipped with four wheels instead of two, allowing it to adapt better to uneven terrain.



Tine arms

The removable tine arms with quick-release ensure exceptional maneuverability, while models 420 and 450 stand out for their robustness, thanks to steel ball bearings and reinforced rotor mounting.



MODEL	PONENTE	PONENTE CS
Working width (m)	2,9 - 3,15 - 3,6 - 4,15 - 4,45	6,15 - 6,55
Windrow width (m)	1,6	1,2 - 1,6
Transport width (m)	1,6 - 1,9 - 2,18	2,95
Rotor diameter (m)	2,4 - 2,65 - 2,95 - 3,2 - 3,5	2,95
Number of rotor arms	8 - 9 - 10 - 12	10
Number of tines per arm	3 - 4	4
Wheel type	18 x 8,5 - 8	16 x 6,5 - 8
Minimum power (HP)	20/20/25/35/45	60
Weight (kg)	324 - 348 - 405 - 605 - 695	958



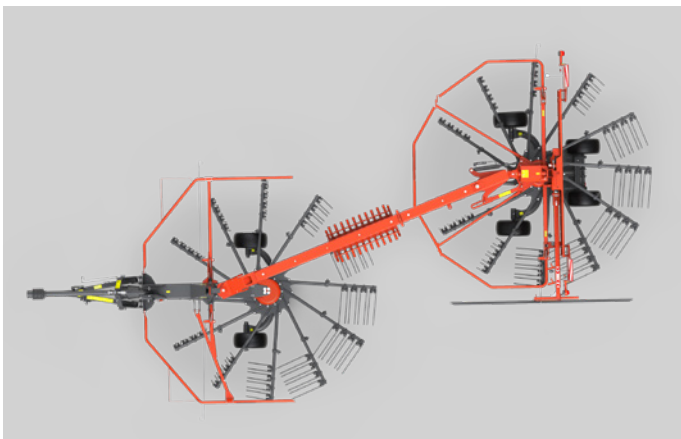
PONENTE T CS - PONENTE T VS

Double rotor trailed rakes (from 40 to 50 HP)



Two rotors for quality results

The PONENTE T CS and PONENTE T VS double-rotor trailed rakes by MASCHIO GASPARDO offer versatile solutions for windrow management. The PONENTE T CS model is ideal for handling large volumes of forage, forming wide, dense windrows up to 3 meters in width, with a working width of up to 8.2 meters and central deposition. The PONENTE T VS, on the other hand, allows the operator to adjust the working width from the tractor cab—up to 6.4 meters—and deposit the windrow on the left side in single, double, or angled configurations, thanks to its multilink frame.



Working modes

The PONENTE T VS offers three different working modes, thanks to the modularity of its frame. It can work in single mode, forming one central or lateral windrow, or in double mode, creating two single windrows (one per rotor).



Reinforced cams

Our reinforced steel cam protection ensures longer service life and reduces friction, enabling continuous operation without interruptions. Less downtime for maintenance and repairs means more time for perfect windrows every time.

Safe transport

During transportation (in the CS version), the rotors can be folded using a hydraulic system, keeping the transport height under 4 meters.



Mother Regulation

PONENTE T CS and PONENTE T VS comply with the Mother Regulation for safe and proper road transport within the European Union.

**M O T H E R
R E G U L A T I O N
A P P R O V E D**



MODEL	PONENTE T CS	PONENTE T VS
Working width (m)	6,15 - 8,2	3,6 - 6,35
Windrow width (m)	1,2 - 2,2	0,6 - 1,3
Transport width (m)	2,92 - 2,95	3
Rotor diameter (m)	3,2 - 3,5	3
Number of rotor arms	10 - 12	12
Number of tines per arm	4	4
Wheel type	10/75 - 15,3	18,5 x 8,5 - 8
Minimum power (HP)	40 - 50	40
Weight (kg)	1,180 - 2,005 - 2,085	1,570 - 1,790





GASPARDO

Growing Together



Visit our website:
www.maschiogaspardo.com



Download our App
MY MASCHIO GASPARDO

MASCHIO GASPARDO S.p.A.
Headquarters and production site
Via Marcello, 73
I-35011 Campodarsego (PADOVA) - Italy
Tel. +39 02 82284000 - Fax +39 02 82284100
info@maschiogaspardo.com

Data 11-24 Cod. W00233251R
Maschio Gaspardo Marketing Dept.

For printing reasons, some pictures and images do not show the "EC" safety guards. Technical data and models shown in this catalogue are not binding. We reserve the right to revise the contents of this catalogue, to amend or improve the specifications without notice.